

# ABS & Steel Case, Dry



## 100 SERIES

- General purpose non-fillable dry gauge
- Vacuum and compound ranges through 0 psi to 15,000 psi
- 1-1/2", 2", 2-1/2" and 4" gauge sizes
- Standard impact-resistant ABS & Steel case
- Copper alloy and Brass wetted parts

### OPERATING SPECIFICATIONS

#### 1. Working Pressure Limitations

##### a. Dynamic Pressure

The working pressure should be limited to 60% of the dial range.

##### b. Static Pressure

The working pressure, where no sharp fluctuations occur, should be limited to 90% of the dial range

### APPLICATIONS

- Hydraulics & pneumatics
- Medical
- Pumps & compressors
- Refrigeration controls
- Utilities
- Water management

	SERIES	SPECIFICATIONS
<b>Pressure ranges</b>	100 Series (all)	Vacuum and compound ranges through 0 psi to 15,000 psi
<b>Accuracy</b>	15-100, 15-110, 15-120, 20-100, 20-110, 20-120, 20-148, 25-100, 25-110, 25-120	±2.5% full scale
	40-100	±1.6% full scale
<b>Temperature ranges*</b>	100 Series (all)	Media -4 °F to 140 °F (-20 °C to 60 °C) Ambient -40 °F to 140 °F (-40 °C to 60 °C)
<b>Measuring element</b>	100 Series (all)	Copper alloy Bourdon tube
<b>Connection</b>	15-100, 15-110, 15-120, 20-100, 20-110	1/8" NPT, Brass
	20-148	1/8" NPT/10-32 Female, Brass
	20-100, 20-110, 20-120, 25-100, 25-110, 25-120, 40-100	1/4" NPT Brass SAE J1926-3:7/16-20
<b>Case</b>	15-100, 15-110, 20-100, 20-110, 20-148, 25-100, 40-100	ABS (Acryl Nitril Butadien Styrol)
	15-120, 20-120, 25-120	Black painted Steel with chrome triangular bezel and U-clamp
<b>Bezel</b>	15-110, 20-110, 25-110	Built-in bezel, molded as an integral part of the case for ease of panel mounting.
	15-120, 20-120, 25-120	Chrome-plated Steel triangular bezel
<b>Lens</b>	100 Series (all)	Acrylic
<b>Pointer</b>	100 Series (all)	Molded plastic
<b>Dial</b>	100 Series (all)	White background with black primary scale & red secondary scale. UV resistant.
<b>Movement</b>	100 Series (all)	Brass & nylon, or all-Brass with highly polished bearing surfaces

\* For every 18 °F (10 °C) shift in temperature from which the gauge is calibrated, the user can experience up to ±0.4% additional error.

For details on accuracy/standard dial configuration and dial layouts, see pages 56-61.



**WARNING:** This product can expose you to chemicals including Lead, which is known to the State of California to cause cancer and birth defects or other reproductive harm. For more information go to [www.P65Warnings.ca.gov](http://www.P65Warnings.ca.gov)

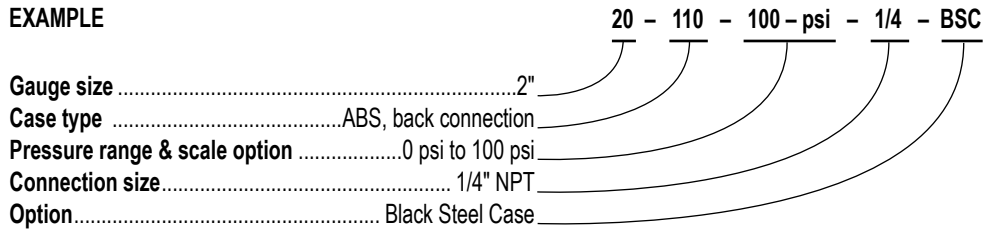
ORDERING INFORMATION							
<b>GAUGE SIZES</b>	<b>15</b> 1-1/2"	<b>20</b> 2"	<b>25</b> 2-1/2"	<b>40</b> 4"			
<b>CASE TYPES</b>	<b>100</b> ABS, bottom connection	<b>120</b> Steel case panel mount					
	<b>110</b> ABS, back connection	<b>148</b> Square ABS, panel mount (2" only)					
<b>PRESSURE RANGES</b>	<b>30vac</b> -30 inHg vacuum to 0 psi	<b>30/300</b> -30 inHg to 0 to 300 psi	<b>200</b> 0 psi to 200 psi	<b>2000</b> 0 psi to 2,000 psi			
	<b>30/15</b> -30 inHg to 0 to 15 psi	<b>15</b> 0 psi to 15 psi	<b>300</b> 0 psi to 300 psi	<b>3000</b> 0 psi to 3,000 psi			
	<b>30/30</b> -30 inHg to 0 to 30 psi	<b>30</b> 0 psi to 30 psi	<b>400</b> 0 psi to 400 psi	<b>5000</b> 0 psi to 5,000 psi			
	<b>30/60</b> -30 inHg to 0 to 60 psi	<b>60</b> 0 psi to 60 psi	<b>600</b> 0 psi to 600 psi	<b>6000</b> 0 psi to 6,000 psi			
	<b>30/100</b> -30 inHg to 0 to 100 psi	<b>100</b> 0 psi to 100 psi	<b>1000</b> 0 psi to 1,000 psi	<b>10000</b> 0 psi to 10,000 psi			
	<b>30/160</b> -30 inHg to 0 to 160 psi	<b>160</b> 0 psi to 160 psi	<b>1500</b> 0 psi to 1,500 psi	<b>15000</b> 0 psi to 15,000 psi			
	<b>30/200</b> -30 inHg to 0 to 200 psi	Other ranges available on request					
<b>SCALE OPTIONS***</b>	<b>psi</b> psi single scale	<b>psi/kPa</b> psi/kPa dual scale	<b>psi/kg/cm<sup>2</sup></b> psi/kg/cm <sup>2</sup> dual scale	<b>psi/bar</b> psi/bar dual scale			
<b>CONNECTION SIZES</b>	<b>1/8</b> 1/8" NPT	<b>SST</b> SAE J1926-3:7/16-20 Adjustable	<b>1/4</b> 1/4" NPT				
<b>OPTIONS</b>	<b>PMC</b> Panel Mount Clamp	<b>SSC</b> Stainless Steel Case	<b>LL</b> Polycarbonate Lens	<b>ST</b> Stainless Steel Tagging			
	<b>SSB</b> Polished Stainless Steel Bezel	<b>CRC</b> Chrome Case	<b>GL</b> Glass Lens*	<b>CPO</b> Brass Sintered Orifice 20 Micron			
	<b>BLRF</b> Black Rear Flange	<b>FAC</b> Flat Sided ABS Case	<b>SG</b> Safety Glass Lens*	<b>BP1</b> Brass Press Fit Orifice 0.1 mm			
	<b>BLFF</b> Black Front Flange – ABS Case	<b>BCR</b> Black Cover Ring**	<b>HL</b> Homalite Lens*	<b>BP3</b> Brass Press Fit Orifice 0.3 mm			
	<b>CFF</b> Chrome Front Flange – ABS Case	<b>SSCR</b> Stainless Steel Cover Ring**	<b>SP</b> Red Set Pointer**	<b>BP8</b> Brass Press Fit Orifice 0.8 mm			
	<b>SBFF</b> Black Front Flange – Steel Case	<b>CCR</b> Chrome Cover Ring**	<b>MIP</b> Maximum Indicating Pointer				
	<b>SCFF</b> Chrome Front Flange – Steel Case	<b>PCCR</b> Polished Chrome Cover Ring**	<b>SDM</b> Silicone Dampened Movement				
	<b>BSC</b> Black Steel Case	<b>CAR</b> Chrome Adapter Ring*	<b>LM</b> Laser Marking				

Please consult your local NOSHOK Distributor or NOSHOK, Inc. for availability and delivery information.

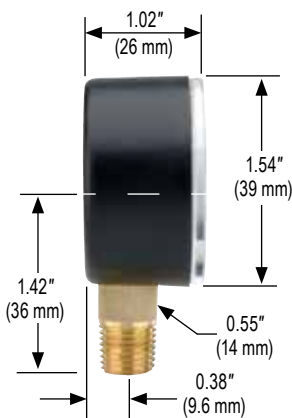
**NOTE:** Refer to 100 Series options & accessories chart on page 50 for availability by part number.

- \* A Steel, Stainless or chrome case & cover ring must be additionally ordered when lenses other than acrylic are utilized on all 100 Series.
- \*\* Only 110 Series require a Steel, Stainless or chrome case & cover ring to be additionally ordered when utilizing a set pointer or cover ring. Please consult factory when a set pointer is to be utilized on a 120 Series.
- \*\*\* Other scales available on request

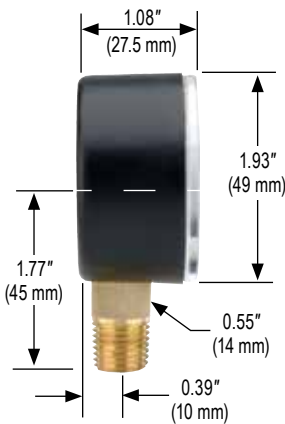
**EXAMPLE**



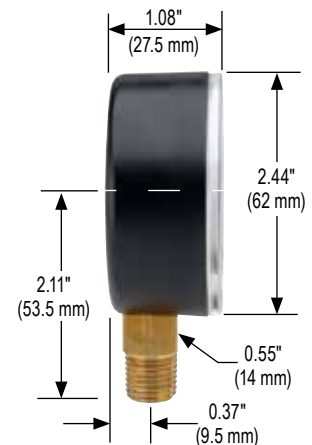
**15-100**



**20-100**

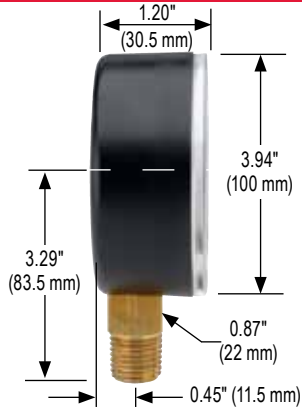


**25-100**

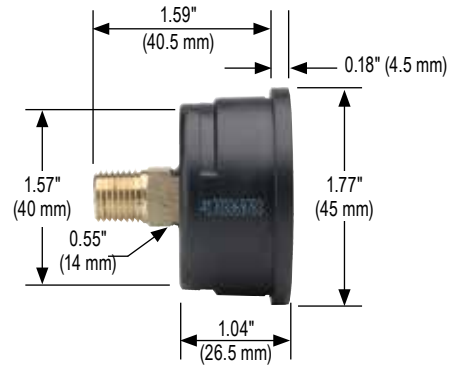


# Dimensions

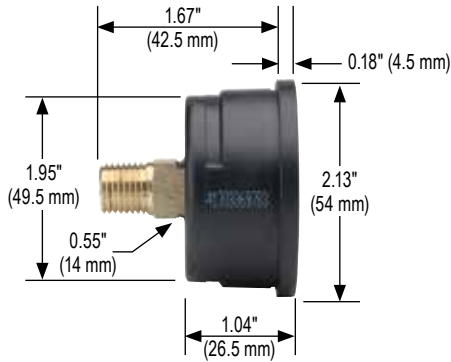
**40-100**



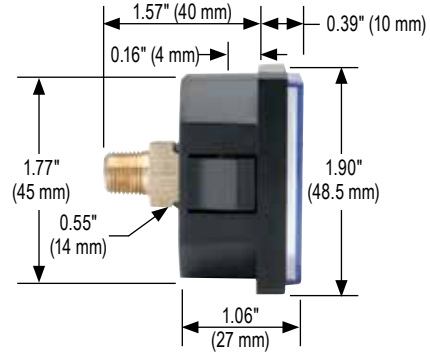
**15-110**



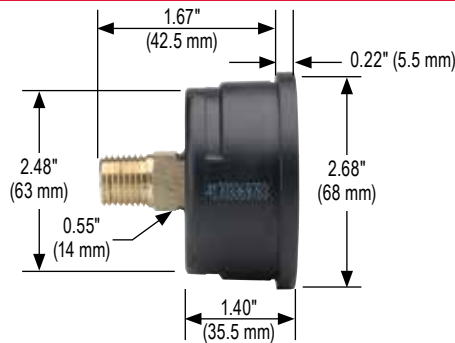
**20-110**



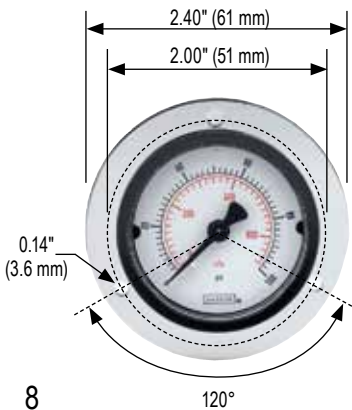
**20-148**



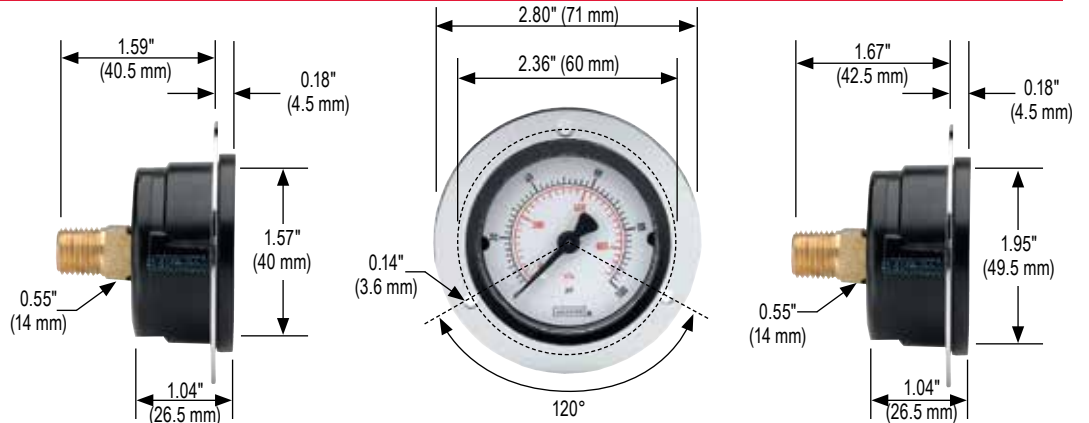
**25-110**



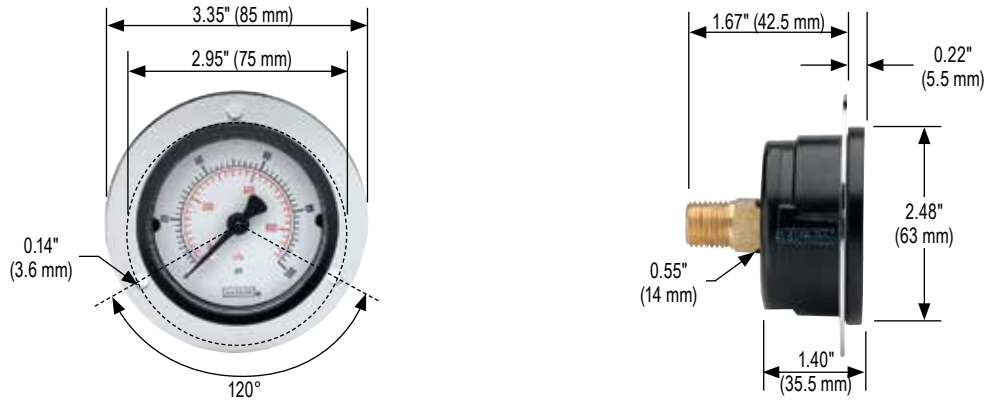
**15-110 Front Flange**



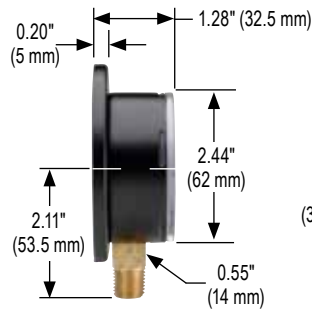
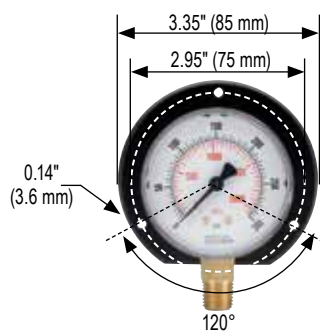
**20-110 Front Flange**



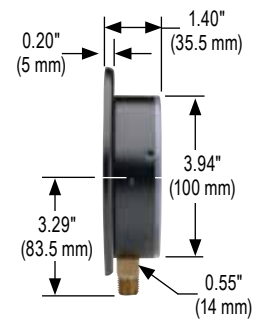
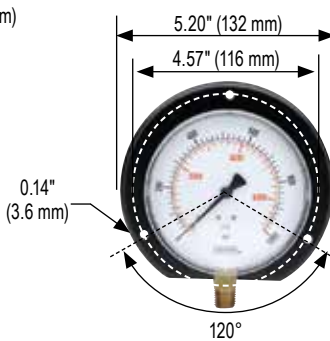
## 25-110 Front Flange



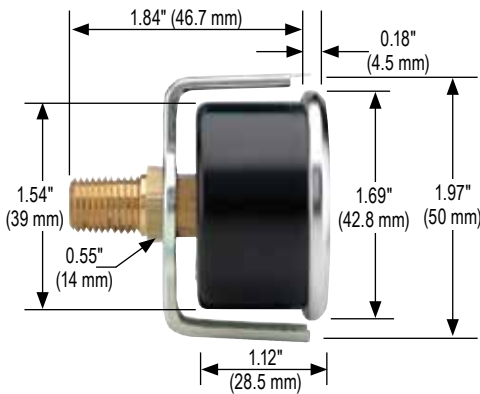
## 25-100 Rear Flange



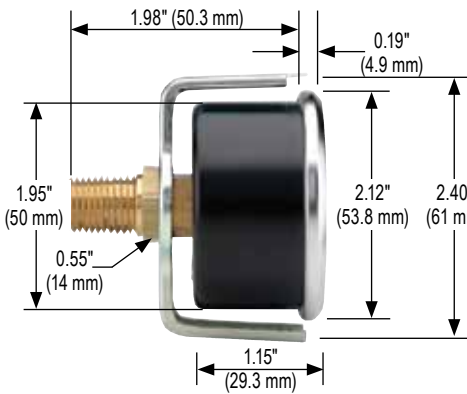
## 40-100 Rear Flange



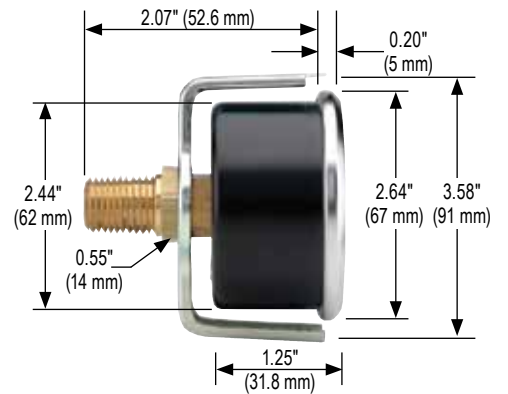
## 15-120 Chrome Bezel With U-Clamp



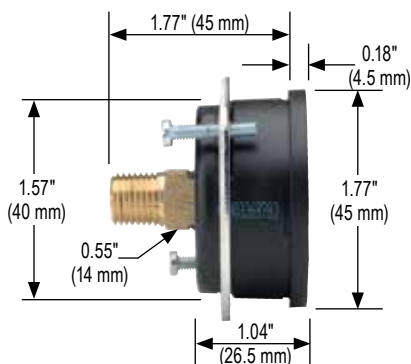
## 20-120 Chrome Bezel With U-Clamp



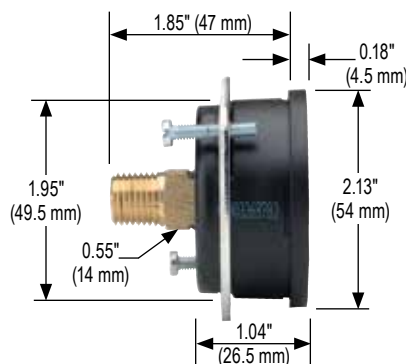
## 25-120 Chrome Bezel With U-Clamp



## 15-110 Panel Mount Clamp



## 20-110 Panel Mount Clamp



## 25-110 Panel Mount Clamp

